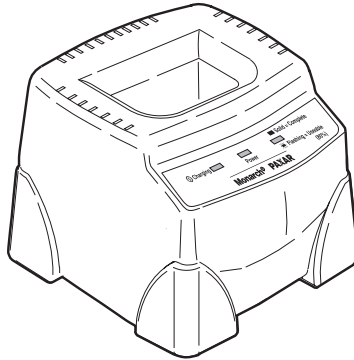


OPERATING INSTRUCTIONS

The Monarch® 9462™ Single-Station Battery Charger charges one 7.4V lithium-ion battery at a time for the following printers:

- ◆ Sierra Sport2™ 9460™
- ◆ Sierra Sport3™ 9433™
- ◆ Monarch® Pathfinder® Ultra® *Silver* 6032™
- ◆ Monarch® Pathfinder® Ultra® *Gold* 6037™
- ◆ Monarch® Pathfinder® Ultra® *Platinum* 6039™

Note: You must charge a battery before using it.



WARNINGS

- ◆ Use only a Paxar-qualified battery. The battery could be damaged or explode if placed on a different charger.
- ◆ Do not charge non-rechargeable batteries in this charger.
- ◆ Do not throw the battery in the trash. Dispose according to your local regulations.

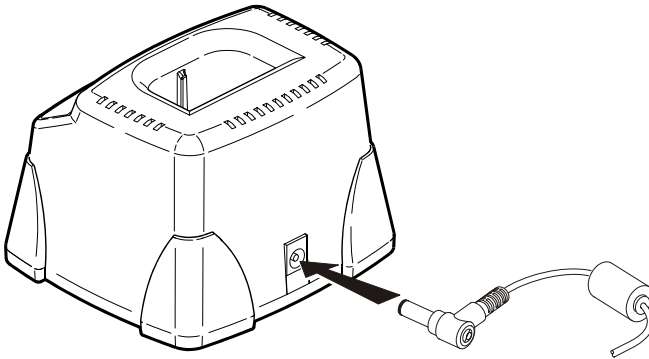


- ◆ Do not disassemble, short-circuit, heat above 80°C, or incinerate the battery. It may explode.
- ◆ Follow the operating and storage limit specifications listed at the end of these instructions. Otherwise, the battery may permanently lose its charge capacity.

Setting Up the Equipment

To set up the equipment:

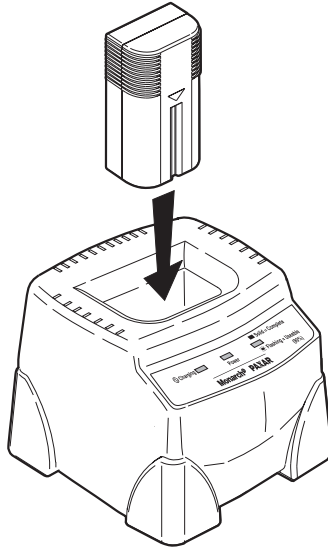
1. Plug one end of the power supply into a wall electrical outlet.
2. Plug the other end of the power supply into the back of the charger.



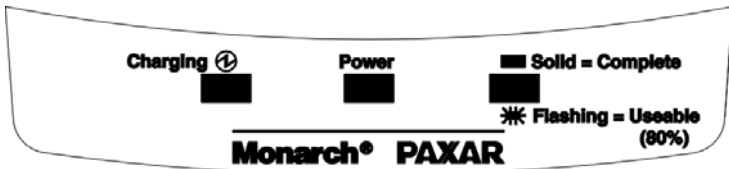
The Power LED is lit when the charger is set up and plugged in.

Charging the Battery

To charge the battery, insert the battery into the charger, with the ribbed end sticking out. Charging time can take up to three hours. It takes approximately 1 hour to reach the 80% level (where it is now usable). To reach 100%, it takes approximately 2 hours more.



Reading the Display



- ◆ Power LED – on (solid). Charger is plugged in.
- ◆ Charging LED – flashes when you insert the battery; on (solid) during charging; off when charging is complete.
- ◆ Complete LED – flashes when the battery is 80% charged; on (solid) when the battery is 100% charged.

Troubleshooting

When an error occurs, the Charging and Complete LEDs blink together. In this case, repeat the charging process. If the error still occurs, repeat the process with a new battery. If there is a still a problem after the second repeat charge, call Paxar Service.

In between charges, remove the battery, wait for the lights to stop flashing, then re-insert the battery.

Specifications

Operating Limits:

Temperature	32°F to 104°F (0°C to 40°C)
Humidity	5% to 90% non-condensing

Storage Limits:

Temperature	-40°F to 158°F (-40°C to 70°C)
Humidity	5% to 90% non-condensing

Charger

Length:	3" (76.2 mm)
Width:	3.25" (82.55 mm)
Height:	3" (76.2 mm)
Input:	12 to 16 VDC/14W
Shipping Weight:	1.16 lbs. (.53 kg)

Power Supply

Input:	Universal switching power supply, 85 to 264 VAC, 50/60 Hz.
Output:	12 VDC/18W max

Visit www.paxar.com for sales, service, supplies, information, and telephone numbers for our locations throughout the world.

Toll Free:

1-800-543-6650 (In the U.S.A.)
1-800-363-7525 (In Canada)